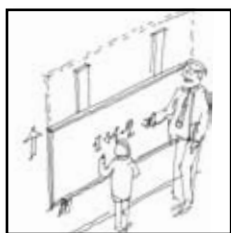
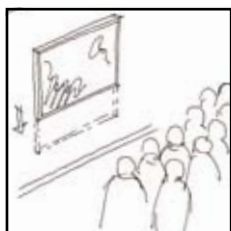
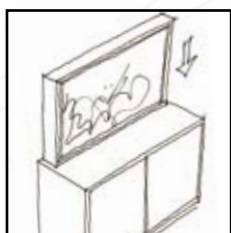


TV-lift TS750

The TS750 electric TV Lift can be used as a high definition plasma TV lift, widescreen flat panel HD-ready plasma TV lift, widescreen plasma TV lift, HDTV LCD TV lift, wide screen HDTV LCD TV lift, widescreen HDTV-ready flat-panel LCD TV lift and that's not all.

The TV lift is powered by a Bosch gearmotor and can be operated by using either a rocker switch or a remote control. Manufactured in China, warehouse in Denmark and China.



VENSET®

Electrical movement in furniture and buildings

TV-lift TS750

Component specifications

Metal sheet parts: St 37-2
Gear parts: St 70-2
Gear motor: Bosch no. 0 390 257 685
Power supply: 60 W AC Power Transformer
Consumption: 60 Watts; Standby: 0,01 Watts
Plastic components: PEHD, PA6, POM
Surface treatment: Visible metal parts powder coated in black colour. Non visible metal parts are surface treated (e.g. zinc plated). Remote system RF signal operated (Radio frequency)

Stroke: 750 mm
Lifting capacity: 100 kg
Speed: 28 mm/sec

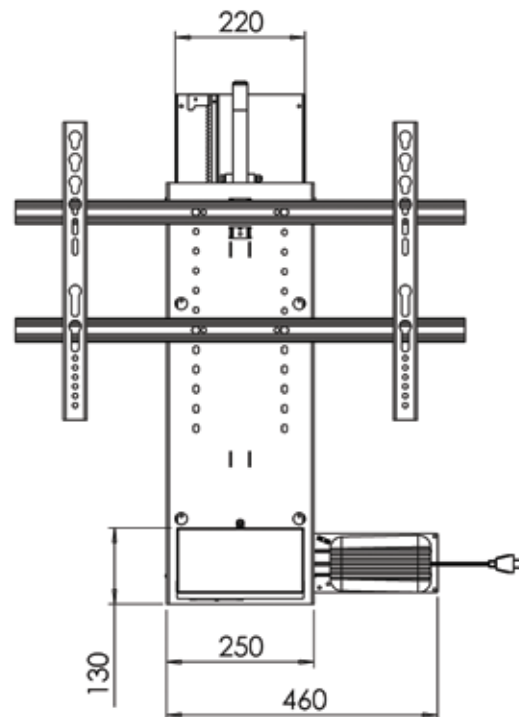
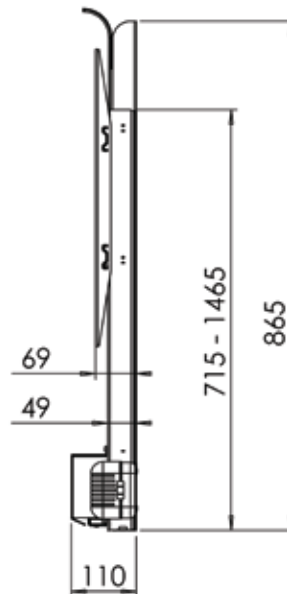
Fits Vesa Std.:
400x100
400x400
600x200
600x400

After installation of the mechanism, the electrical components can be connected.

All wires have DC jacks and since different types (size- male/female) have been used, only the correct connection can be made. All products come with an instruction manual.

The mechanism can now be operated up and down using the supplied remote unit, RF. Push "+" and the lift will expand.

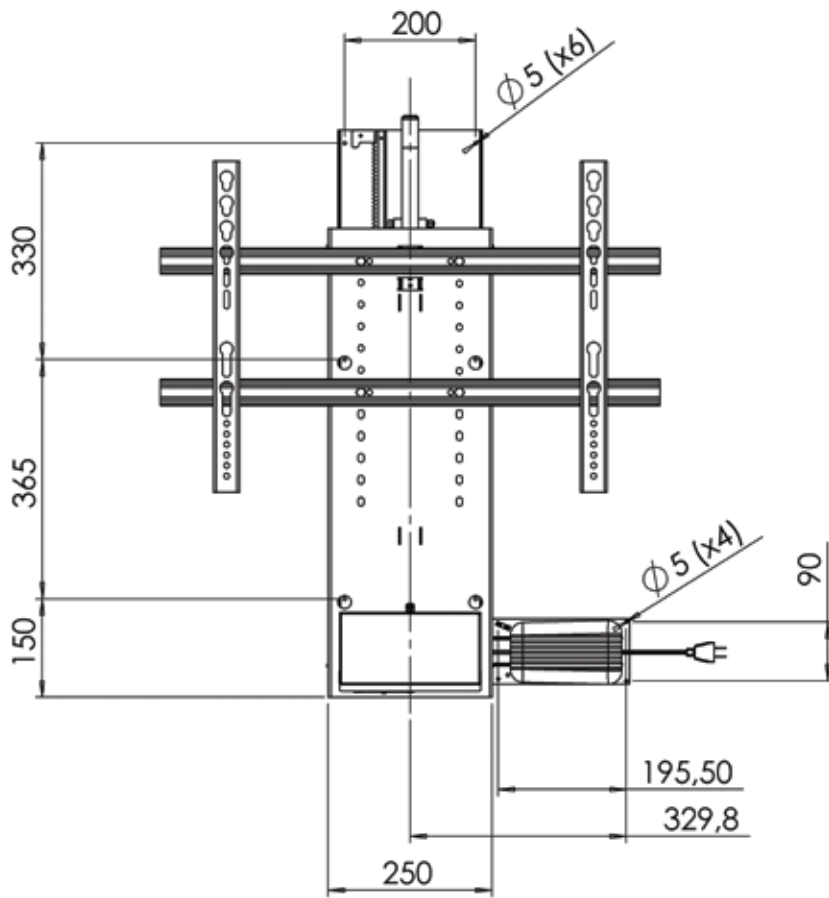
Main measurements:



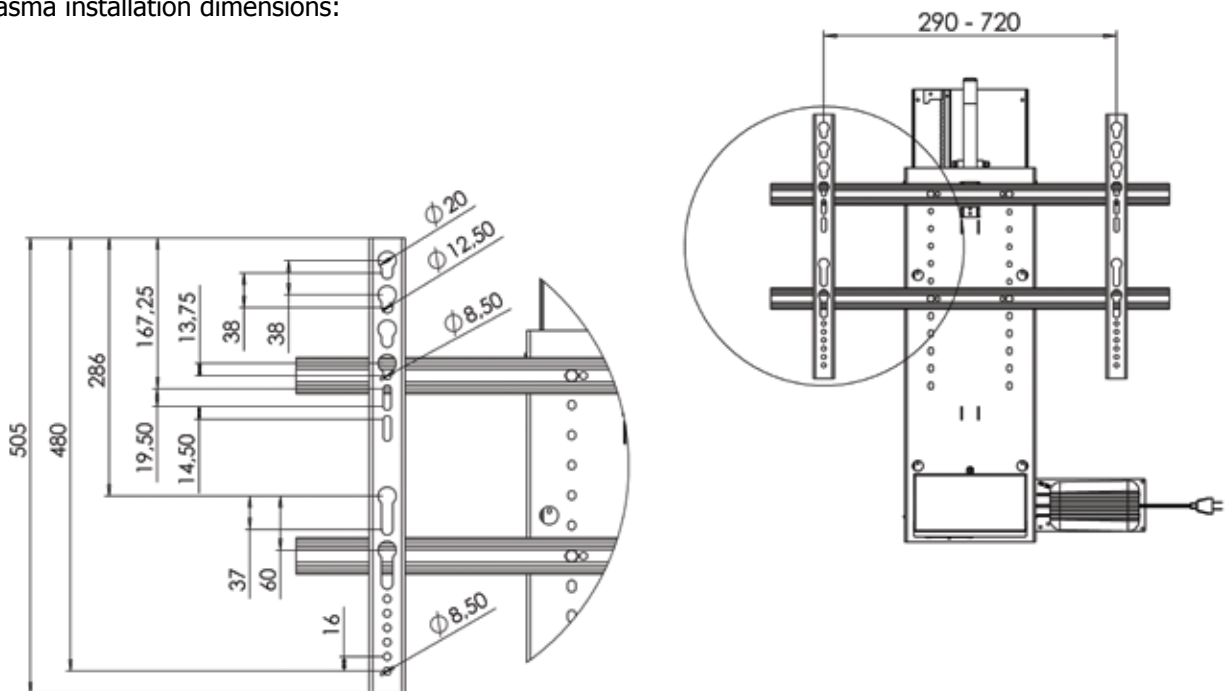
VENSET

TV-lift TS750

Cabinet installation dimensions:



Plasma installation dimensions:



VENSET®